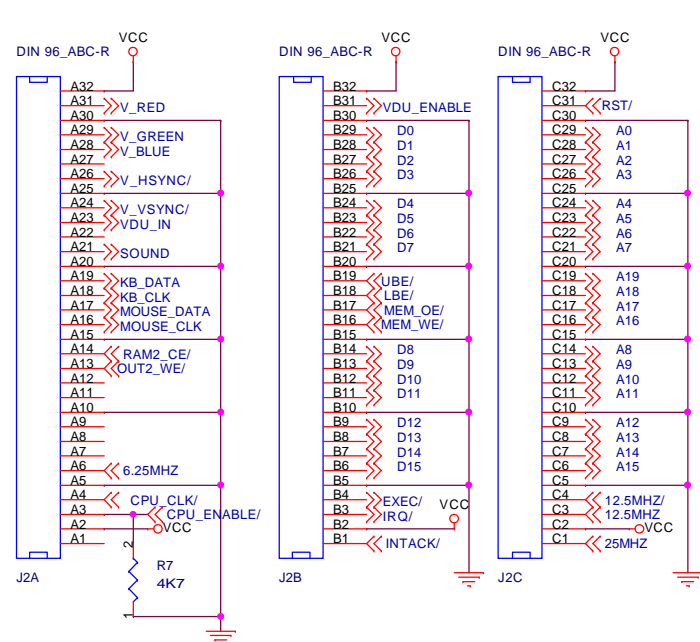
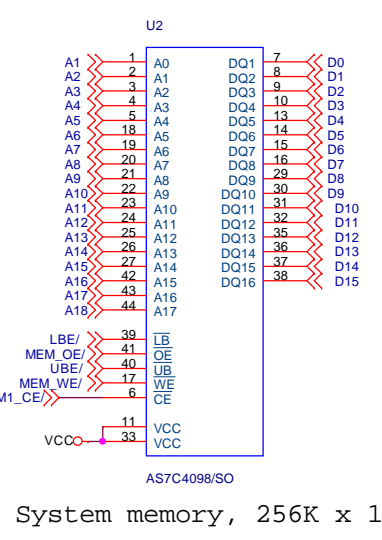


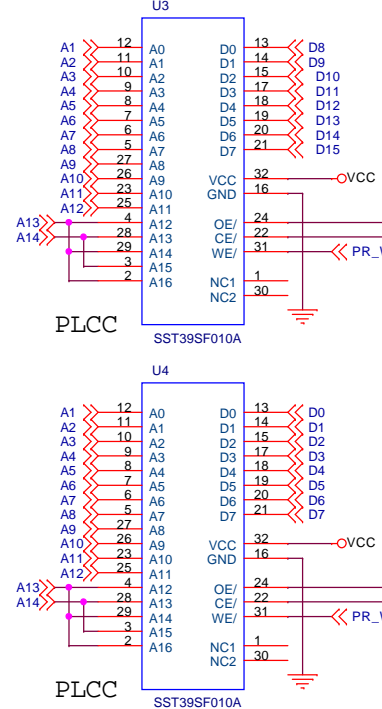
CPU CARD CONNECTION



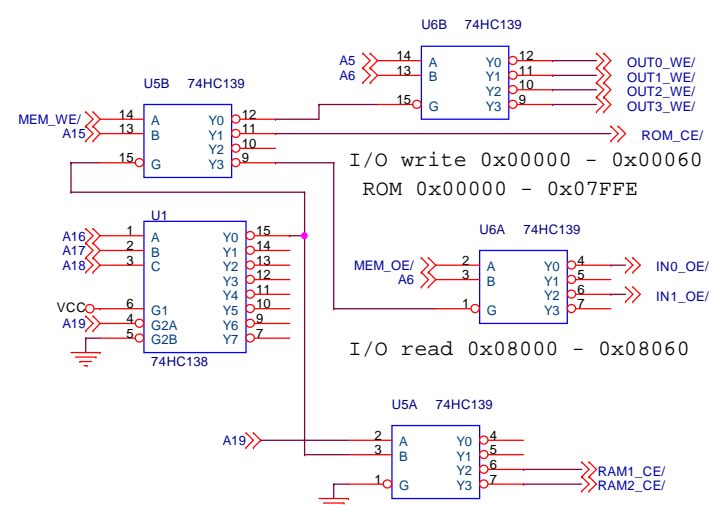
VIDEO CARD CONNECTION



System memory, 256K x 16

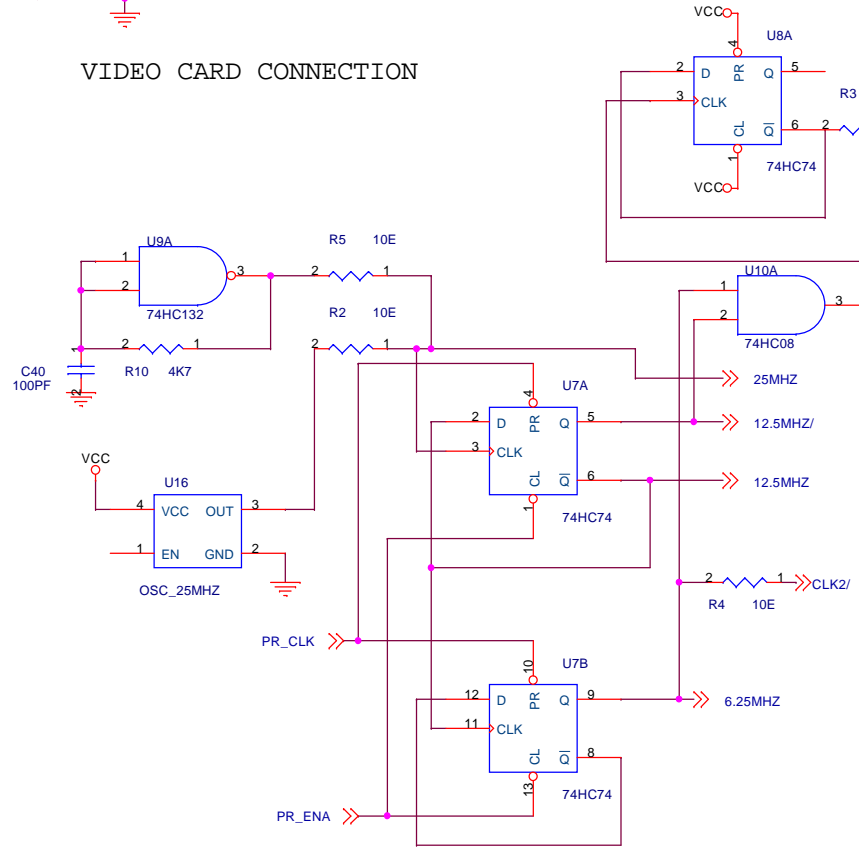


Flash memory

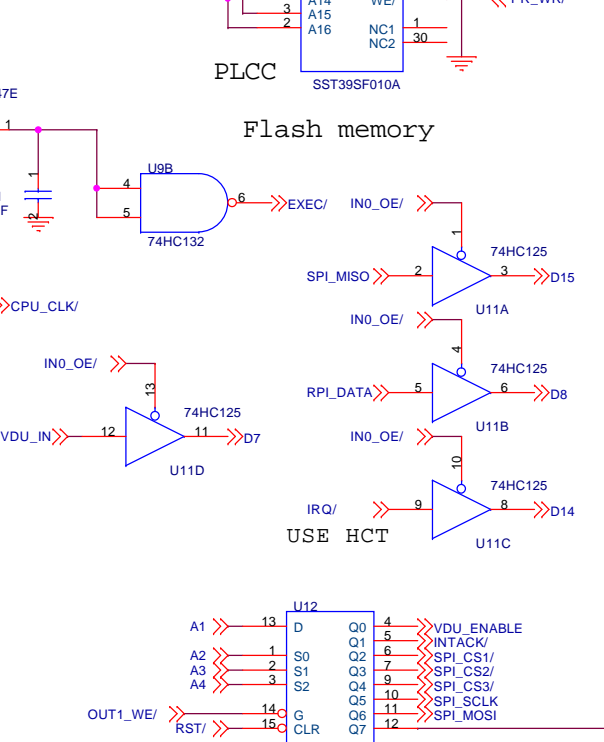


Address decoder

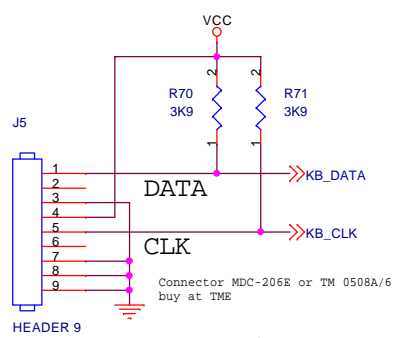
RAM1 0x10000 - 0x7FFF
RAM2 0x80000 - 0xFFFF



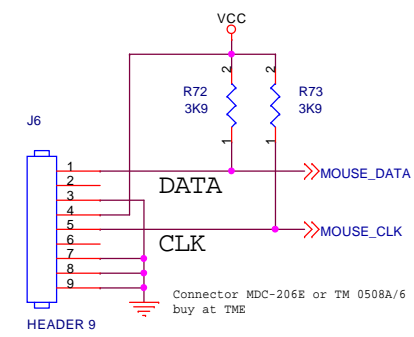
Timing



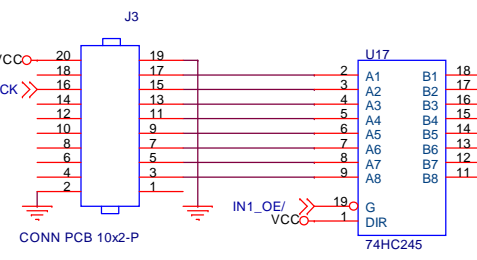
USE HCT



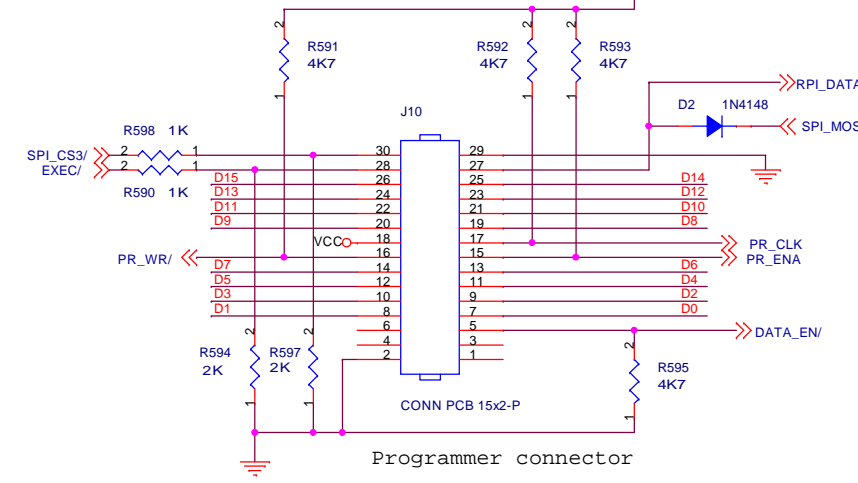
PS/2 Keyboard interface



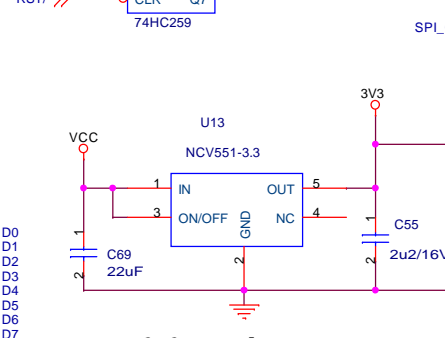
PS/2 Mouse interface



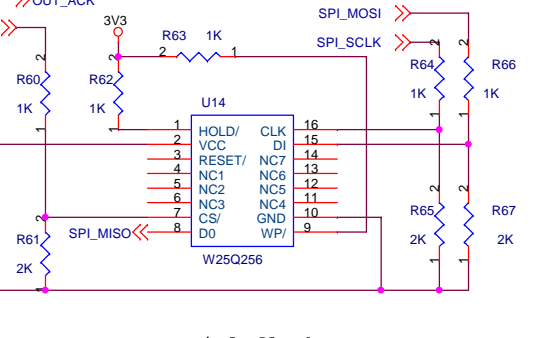
INPUT PORT



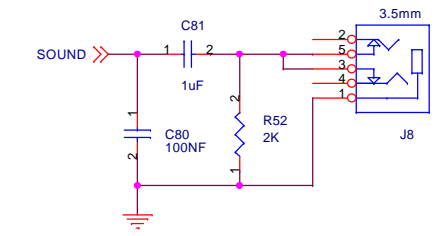
Programmer connector



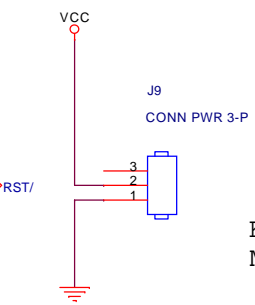
3V3 regulator



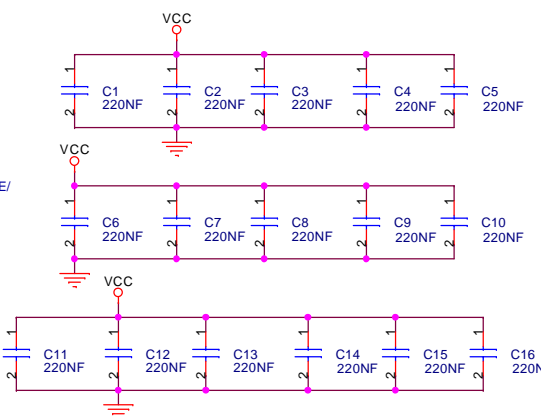
Serial flash



reset switch



CONN PWR 3-P



Video VGA out DB-15 female high density

KOBOLD K2 COMPUTER
MAINBOARD KMAIN1948

ROELH 20191128